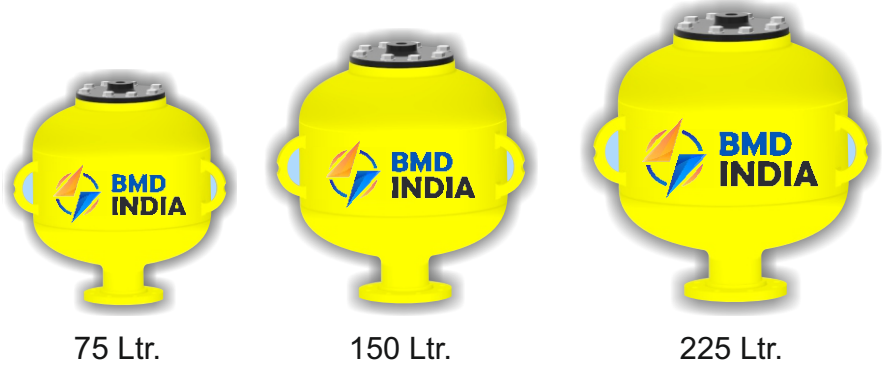


BHARAT AIR STORM

What is Air Storm?

Air-Storm is a pressure vessel which reserve compressed air and blasts air upon actuation by PLC in to bulk materials storage or process vessel to boost flow.

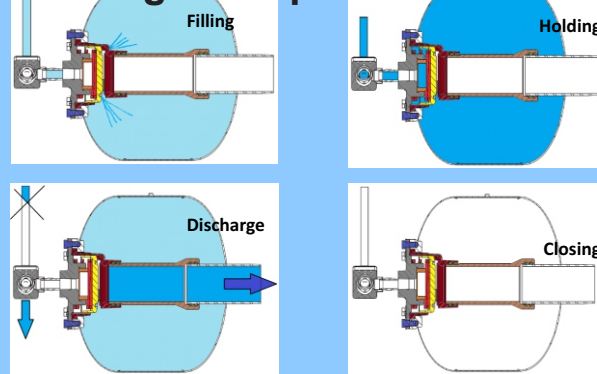


Where Air Storm is used?

Applications:-

- Suitable for high temperature applications such as cement plant and power plant for smooth flow of material.
- Suitable for high corrosive environment such as fertilizer industry and plants near sea shore.
- Installed on-square hopper, conical silo/bins, feed chutes.
- Material handled - wet / sticky material, dense / compacting material, light / fluffy / porous material, hard build-ups / concretes high - temperature material.

Working Principle of Air-Storm:



AIR STORM NOZZLES

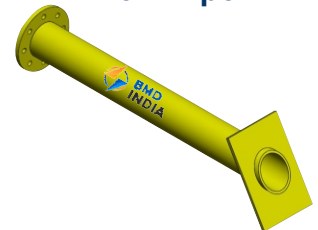
Y- Nozzle



Fan Jet Nozzle



Blow Pipe



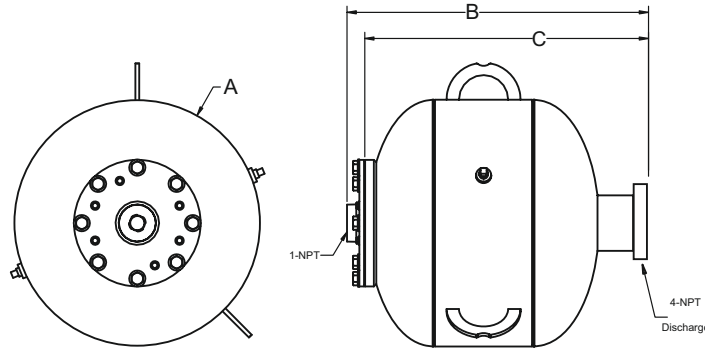
BMD ENGINEERING SOLUTIONS

Works At:- Plot No. C 39/2, Mhalunge, Chakan MIDC, Phase-1, Pune (MH) - 410501, Mob.- 77353 89730 / 83800 90023.

E-mail:- sales@bmdindia.com , bmdengineeringsales@gmail.com , Web: www.bmdindia.com

BHARAT AIR STORM

Dimensions



Model	P/N	Dim A	Dim B	Dim C
Air Storm	AS-75L	510	629	590
Air Storm	AS-150L	610	828	800
Air Storm	AS-225L	610	1030	1008

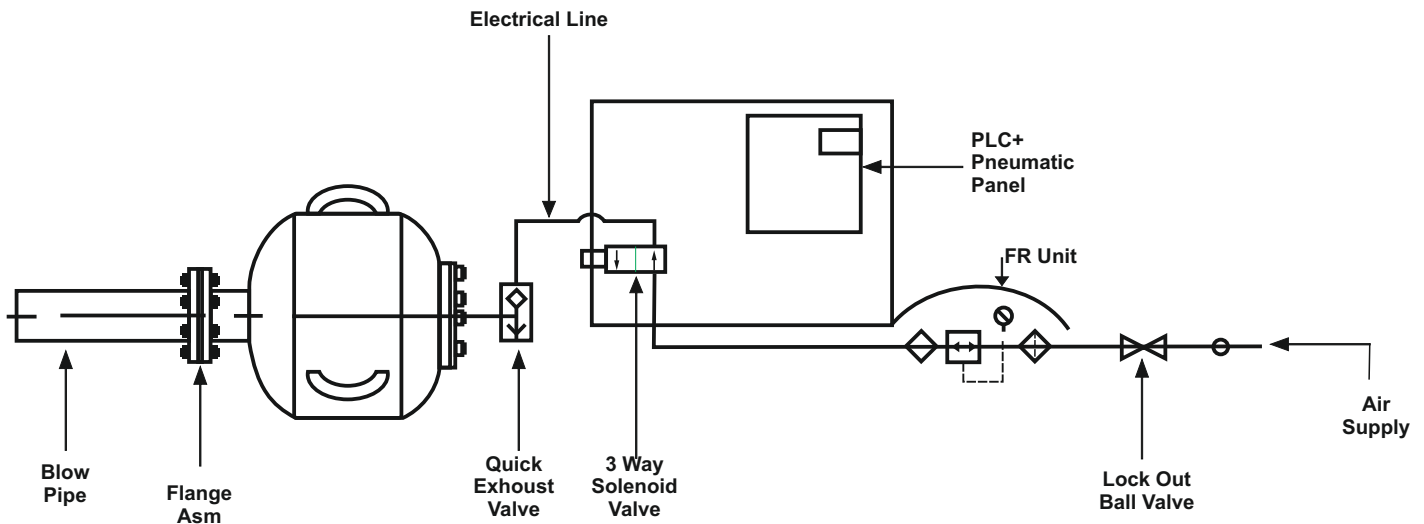


Fig :-Line Diagram of Air Storm (Air Blaster)

NOTE:- Tanks for **AIR STORM** Supplied By **BMD ENGINEERING SOLUTIONS** are manufactured as per IS 2825 Class 3.

BMD ENGINEERING SOLUTIONS

Works At:- Plot No. C 39/2, Mhalunge, Chakan MIDC, Phase-1, Pune (MH) - 410501, Mob.- 77353 89730 / 83800 90023.
E-mail:- sales@bmdindia.com , bmdengineeringsales@gmail.com , Web: www.bmdindia.com

BHARAT AIR STORM

BMD Air Storm (Air Blaster)

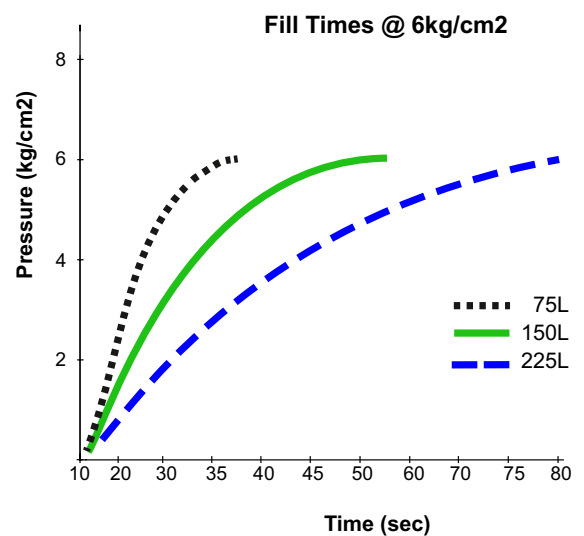
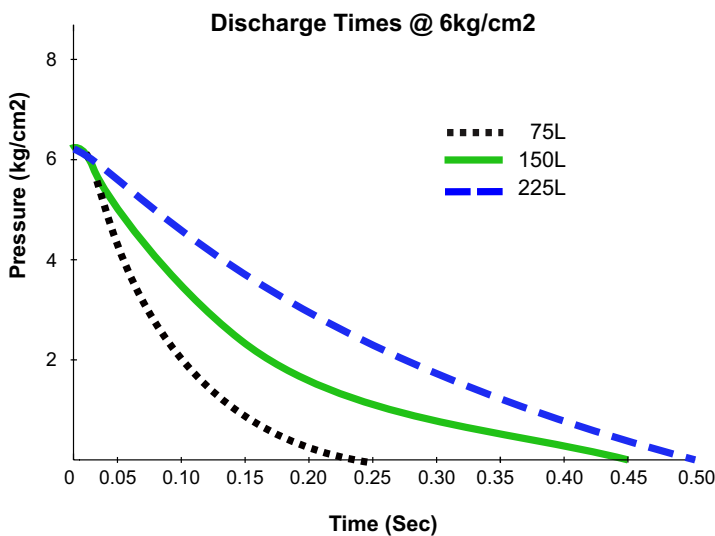
The **AIR STORM (AIR BLASTER)** features a hybrid valve concept that provides more force, uses less air and simplifies maintenance in challenging applications with limited budgets. This valve is made in India & having MOC is SG iron

BENEFITS

- More force output
- One-step maintenance



PERFORMANCE DATA



BMD ENGINEERING SOLUTIONS

