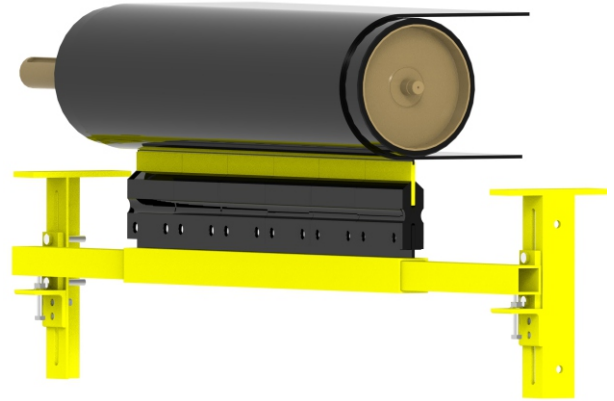


BHARAT SECONDARY BELT SCRAPER HD

BMD BHARAT SECONDARY BELT SCRAPER HD

incorporates individually cushioned tungsten carbide blades with mild steel backing plate for effective cleaning without risk to belt, splice or blade installed in the secondary cleaner position, the secondary belt scraper blade buffers cushion impact and maintains cleaning pressure.

BMD ENGINEERING SOLUTIONS newly enhanced Secondary belt scraper **HD** which is having segmented rubber buffer with tungsten carbide blades and telescopic mainframe made up of structural steel.



BENEFITS

Cushioned Blades Maintain Efficiency

Rubber buffers maintain cleaning pressure while deflecting to allow splices to pass.

Built for Tough Conditions

Rugged construction withstands punishing applications, like high-speed belts and high-tonnage loads.

Easy Adjustment of Cleaning Pressure

BMD Secondary belt scraper mounting arrangement allows simple alteration of blade-to-belt pressure to maintain cleaning efficiency regardless of blade wear.

Fits in Tight Spaces

Compact design allows installation in close quarters; narrow profile resists material buildup.

Application Blades to Match

Specify tungsten carbide tips for normal, acidic, or high-impact conditions. Blades conform to belt profile by adjusting individually to provide continuous contact across the belt.

Handles Reversing Belts and Belt Rollback

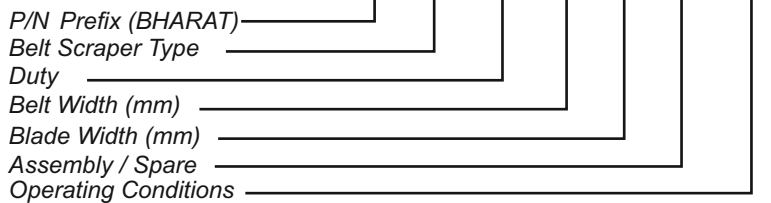
Rubber buffers allow for reversal of belt direction without damage to belt.

Telescopic Mainframe

It allows easy maintenance and easy installation.

NOMENCLATURE

BH-XXX-XXX-BW-BC-XXX-XXX



BELT SCRAPER TYPE

SBS: SECONDARY BELT SCRAPER

DUTY

HD: HEAVY DUTY

MAINFRAME & BLADE

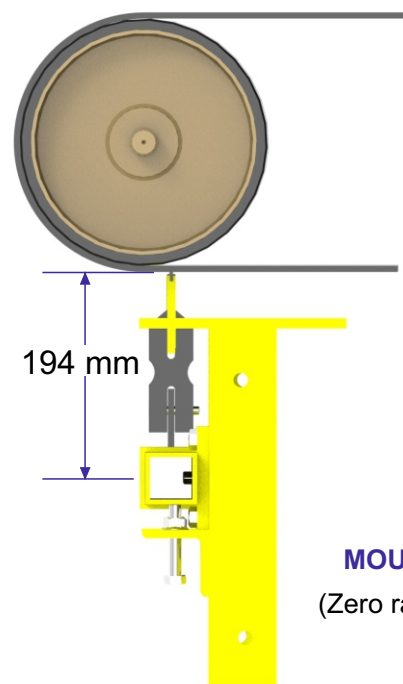
ASM: ASSEMBLY

SPR: BLADE & LOCK PINS

OPERATING CONDITION

AMB: AMBIENT

HRT: HEAT RESISTANT



MOUNTING POSITION

(Zero rake angle to the belt)

BMD ENGINEERING SOLUTIONS

Works At:- Plot No. C 39/2, Mhalunge, Chakan MIDC, Phase-1, Pune (MH) - 410501, Mob.- 77353 89730 / 83800 90023.

E-mail:- sales@bmdindia.com , bmdengineeringsales@gmail.com , Web: www.bmdindia.com

DIMENSIONS --(mm)

Belt Width mm	Mainframe Length (B) mm	Blade Coverage (A) (mm)	Blade segment* (No.)	Rubber Material	
				For Ambient Temp.	For 80-150°C.
600	1400	450	3	Natural Rubber	EPDM
750	1550	600	4	Natural Rubber	EPDM
900	1700	750	5	Natural Rubber	EPDM
1050	1850	900	6	Natural Rubber	EPDM
1200	2000	1050	7	Natural Rubber	EPDM
1350	2150	1250	8	Natural Rubber	EPDM
1500	2300	1350	9	Natural Rubber	EPDM
1650	2450	1500	10	Natural Rubber	EPDM
1800	2600	1650	11	Natural Rubber	EPDM
1950	2750	1800	12	Natural Rubber	EPDM
2100	2900	1950	13	Natural Rubber	EPDM
2250	3050	2100	14	Natural Rubber	EPDM
2400	3200	2250	15	Natural Rubber	EPDM

Note: Dual side tensioner's are required for all belt widths.

Mainframes are all telescopic type for easy Installation

Secondary belt scraper HD

